

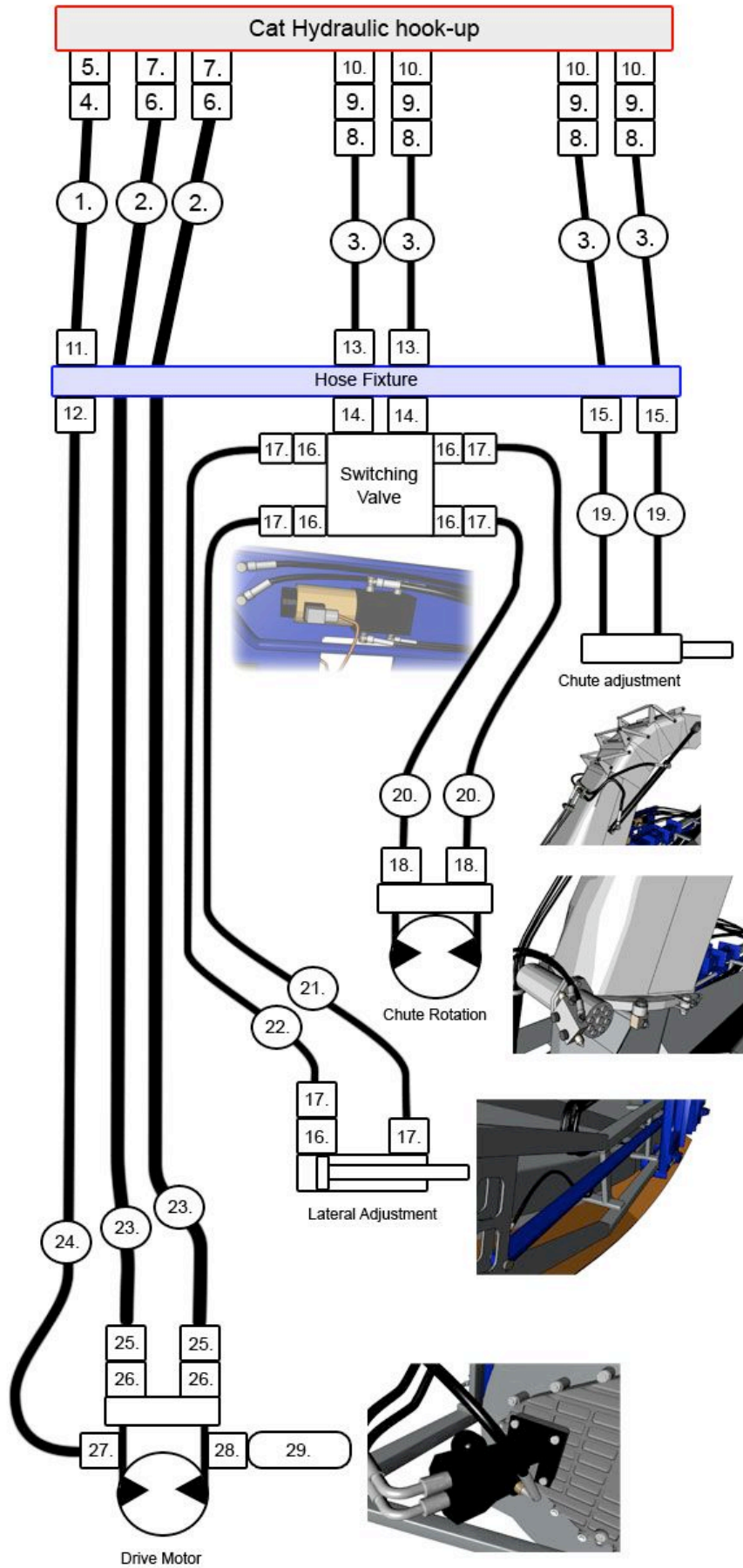
PIPE MONSTER HYDRAULICS REPAIR AND PARTS MANUAL

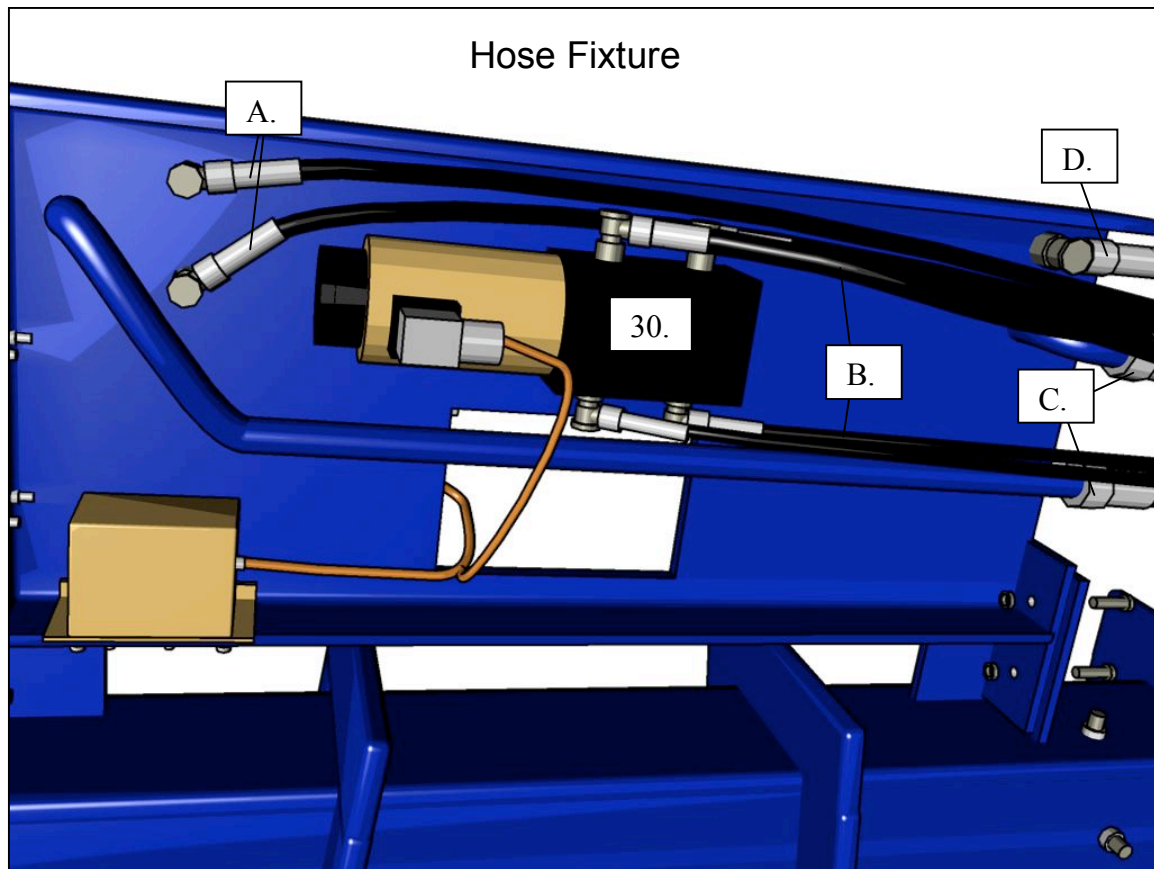
PBL ENTERPRISES

<http://service.zauggamerica.com>

Pipe Monster Hydraulic Diagram

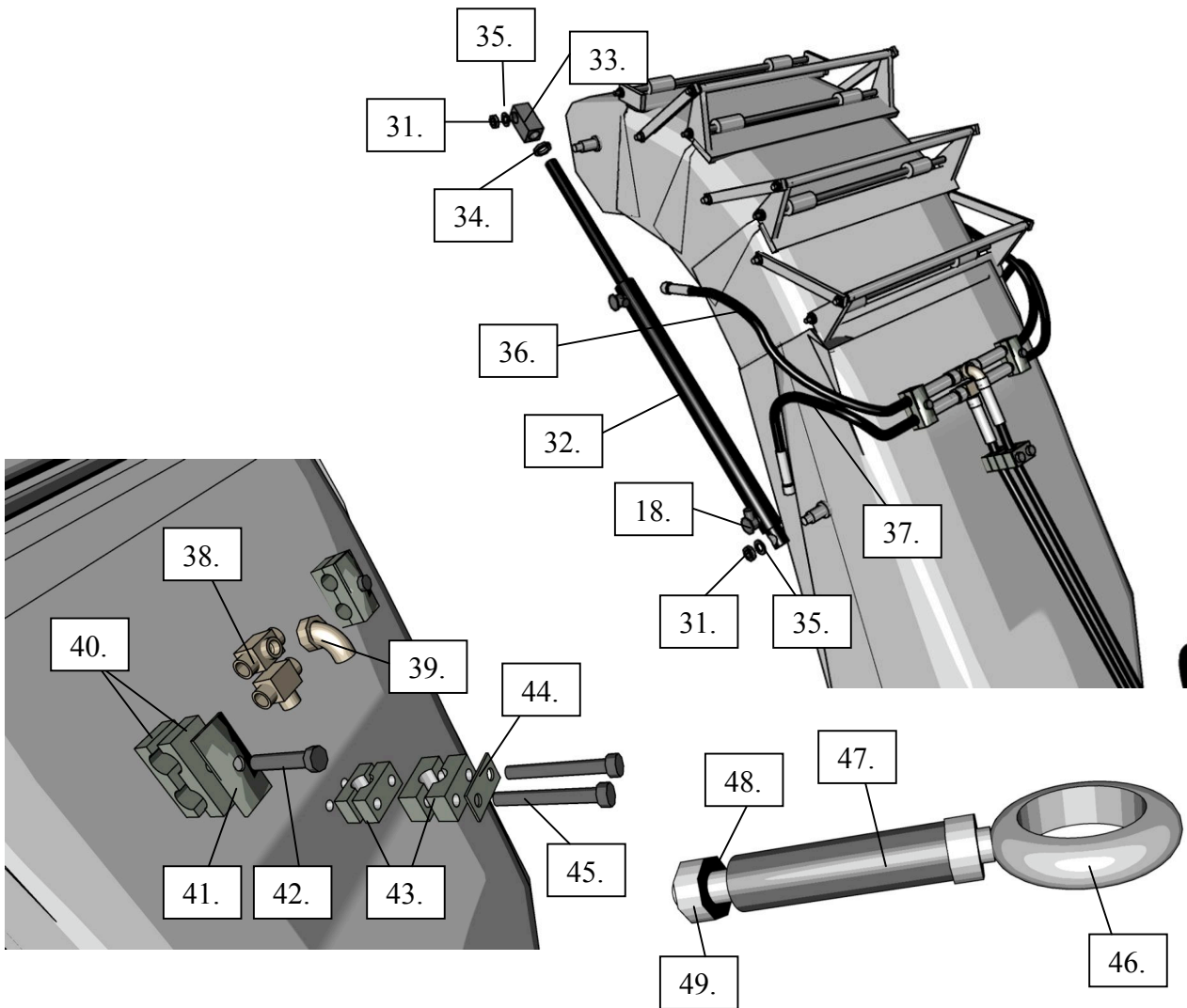
Click on pictures to get more information and part numbers.





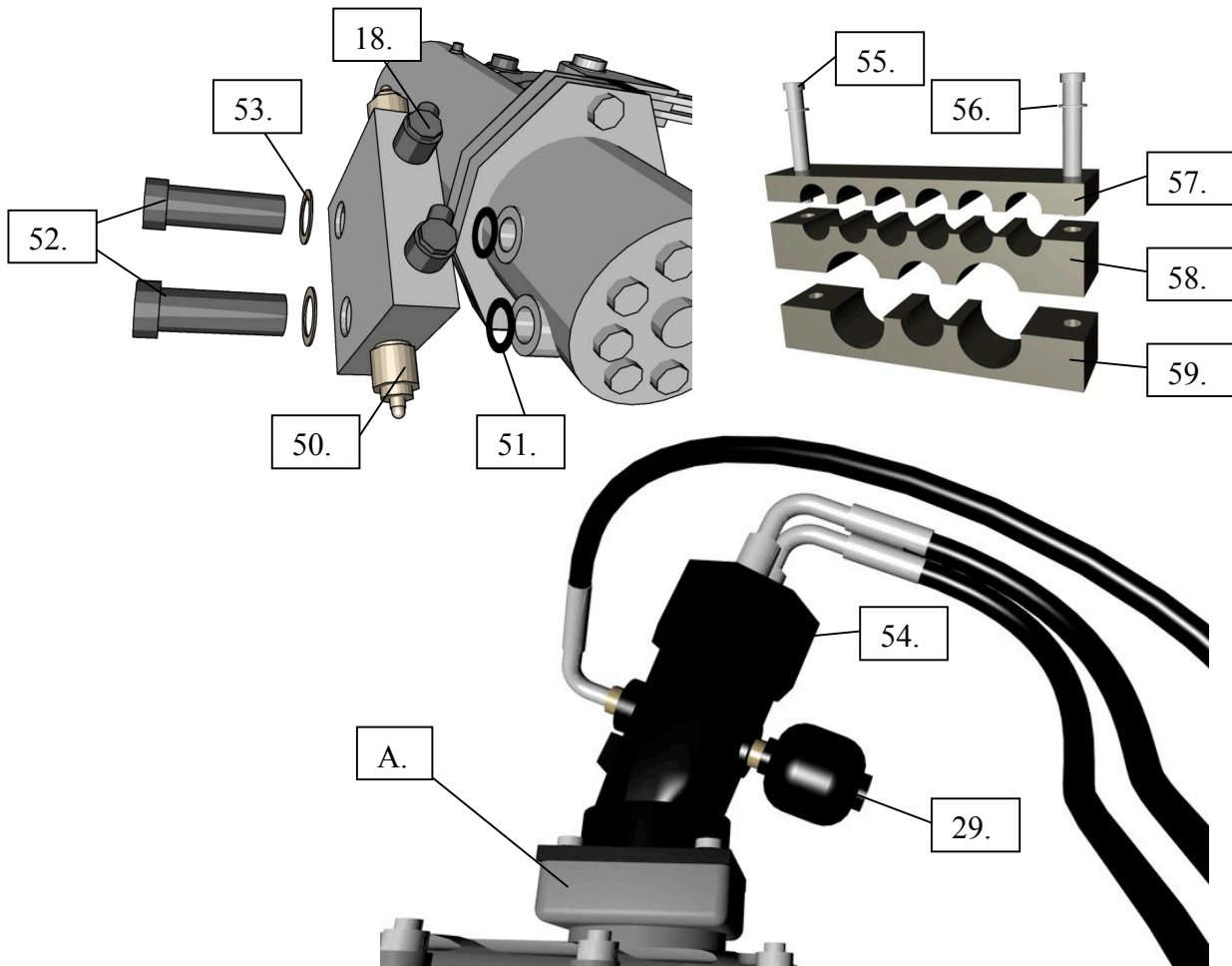
- A. Hoses to chute adjustment hydraulic cylinders.
- B. Hoses from switching valve, switch between the chute rotation motor and the lateral adjustment hydraulic cylinder.
- C. Hoses to the drive motor.
- D. Drain hose to drive motor.

Chute Adjustment Hydraulics



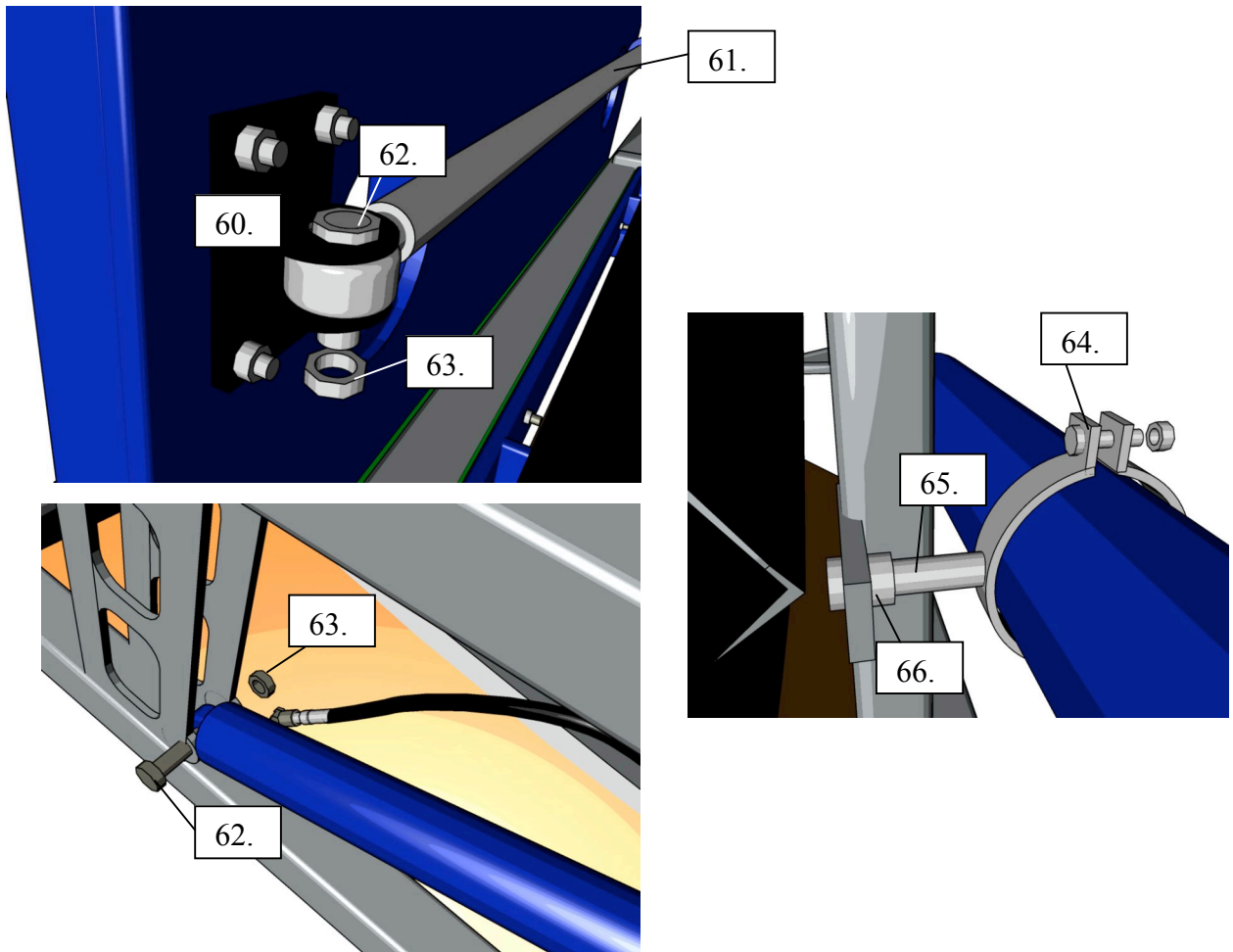
This area is for information regarding maintenance on these parts.

Chute Rotation and Drive Motor Hydraulics



A. The aluminum motor mount flange must be warmed up to remove or install the drive motor. All it takes is a small amount of heat to allow the aluminum housing to expand.

Lateral Adjustment Hydraulic Cylinder



This area is for information regarding maintenance on these parts.

Pipe Monster Hydraulics Parts List

1	HY 582-0-108	Hydraulic hose 18L
2	HY 2004-101	High Pressure Drive Hose
3	HY 6-0-108	Hydraulic Hose 8L
4	HY 459-0-101	Coupler Plug
5	HY 460-0	Dusting Plug
6	8.216.386.000.0	Coupler Plug
7	8.216.387.000.0	Dusting Plug
8	GE 8-L 3/8Z NPT	Straight Threaded Adapter
9	51 08 37-2	Coupler Plug
10	59 08 22	Dusting Plug
11	NT 120 M26X1.5	Hex-Nut
12	SV 18-L	Straight Pipe Coupling
13	NT 120 M14x1.5	Hex-Nut
14	HY 14	Straight Pipe Coupling
15	SV 8-L	Straight Pipe Coupling
16	SWVE 12-L R3/8Z	Banjo Fitting
17	KOR 12/8L	Reducing Connection
18	SWVE 8-L M12x1.5	Banjo Fitting
19	HY 6-0-124	Hydraulic Hose 665 cm
20	HY 6-0-125	Hydraulic Hose 625 cm
21	HY 579-0-104	Hydraulic Hose 8L 90
22	HY 6-0-126	Hydraulic Hose 475 cm
23	HY 2005-101	High Pressure Drive Hose
24	HY 1102-0-107	Hydraulic Hose 18L 90°
25	GE 30-S R1 1/4"	Straight Threaded Connector
26	RI 1 1/2" x 1 1/4"	Reducing Connection
27	GE 18-L R1/2"	Straight Threaded Adapter
28	HY 2508-101	Adapter Connical
29	HY 2506-0-101	Accumulator 1bar
30	HY 1557-0-102	Switching Valve
31	D985 M12	Lock Nut
32	HY 41-0-102	Hydraulic Cylinder
33	SF 4221-102	End Block
34	D936 M16X1.5	Hex-Nut 0,5

35	D125 A M12 A4	Flat Washer
36	HY 6-0-101	Hydraulic Hose 450
37	HY 6-0-102	Hydraulic Hose 550
38	T 8-L	T-Connection
39	EVW 8-L	Threaded 90 degree fitting
40	NT 225 D15	Hose Clamp
41	NT 226 GD2D	Cover Plate
42	D931 M8X35	Hex Head Cap Screw 8.8
43	NT 222 D15	Hose Clamp
44	NT 223 DP2	Cover Plate
45	D931 M6X70	Hex Head Cap Screw 8.8
46	D582 M16	Hose Ring
47	PD 1299	Spacer
48	NT 202 M16	Washer
49	D931 M16X90	Lock Nut
50	HY 349-0	Pressure Control Valve
	HY 370	Pressure Relief Valve Assembly
51	NT 10 25X2.5	O-Ring
52	HSR 1/2Z	Banjo Bolt
53	DKA 22X4.5	Seating Washer
54	HY 1537-0-108	Hydraulic Drive Motor
55	D912 M10X70	Cylinder Head Stud 8.8
56	NT 204 M10	Washer
57	HY 2001	Hose Clamp 1
58	HY 2002	Hose Clamp 2
59	HY 2003	Hose Clamp 3
60	PD 637-0	Mount for Lateral Hydraulic Cylinder
61	HY 1631-0	Lateral Hydraulic Cylinder
62	D931 M24X90	Hex Head Cap Screw 8.8
63	D985 M24	Lock Nut
64	1588.760	Pipe Clamp Murin SRIML
65	D933 M12X40	Hex Head Cap Screw 8.8
66	D934 M12	Lock Nut